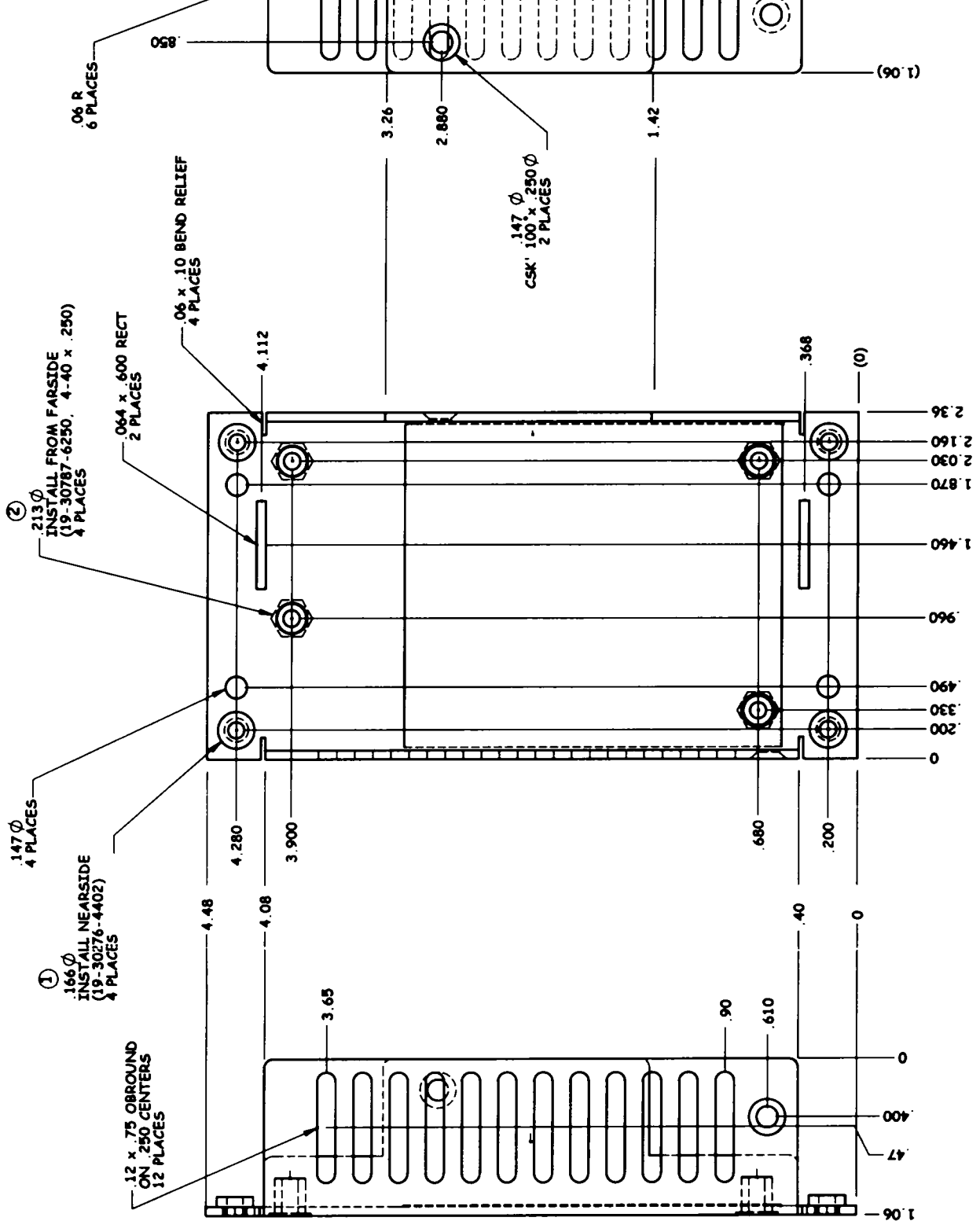


3 INSTALL INSULATOR AS SHOWN

1



166 φ  
INSTALL NEAR SIDE  
(19-30276-4402)  
4 PLACES

213 φ  
INSTALL FROM FAR SIDE  
(19-30787-6250, 4-40 x .250)  
4 PLACES

147 φ  
4 PLACES

12 x .75 OBROUND  
ON .250 CENTERS  
12 PLACES

.06 x .10 BEND RELIEF  
4 PLACES

.06 R  
6 PLACES

147 φ  
100 x 280 φ  
2 PLACES  
CSK

SANDING DIRECTION

Notes: Unless otherwise specified.

1. FABRICATE PER CONDOR WORKMANSHIP STANDARDS MANUAL (W/SM) DOC. NO. 41-31510-0001 SECTION 7.
2. FOR PANEL SIZE, CONDOR P/N'S, AND FN (FIND NUMBER) INFORMATION, REFER TO MODEL SPECIFIC BILL OF MATERIALS. B/M PARTS NO. CAN BE OBTAINED FROM MODEL SPECIFIC MASTER DRAWING LIST.
3. FOR PLATING AND OTHER INSPECTION CRITERIA, REFER TO APPROPRIATE PAGES IN W.S.M. SECTION 7.

APPROVED	DATE
DESIGNED BY	DATE
CHECKED BY	DATE
WORK BY	DATE
WORK BY	DATE

NAME	DATE
APPROVED	DATE
CHECKED	DATE
WORK BY	DATE
WORK BY	DATE

See Note One

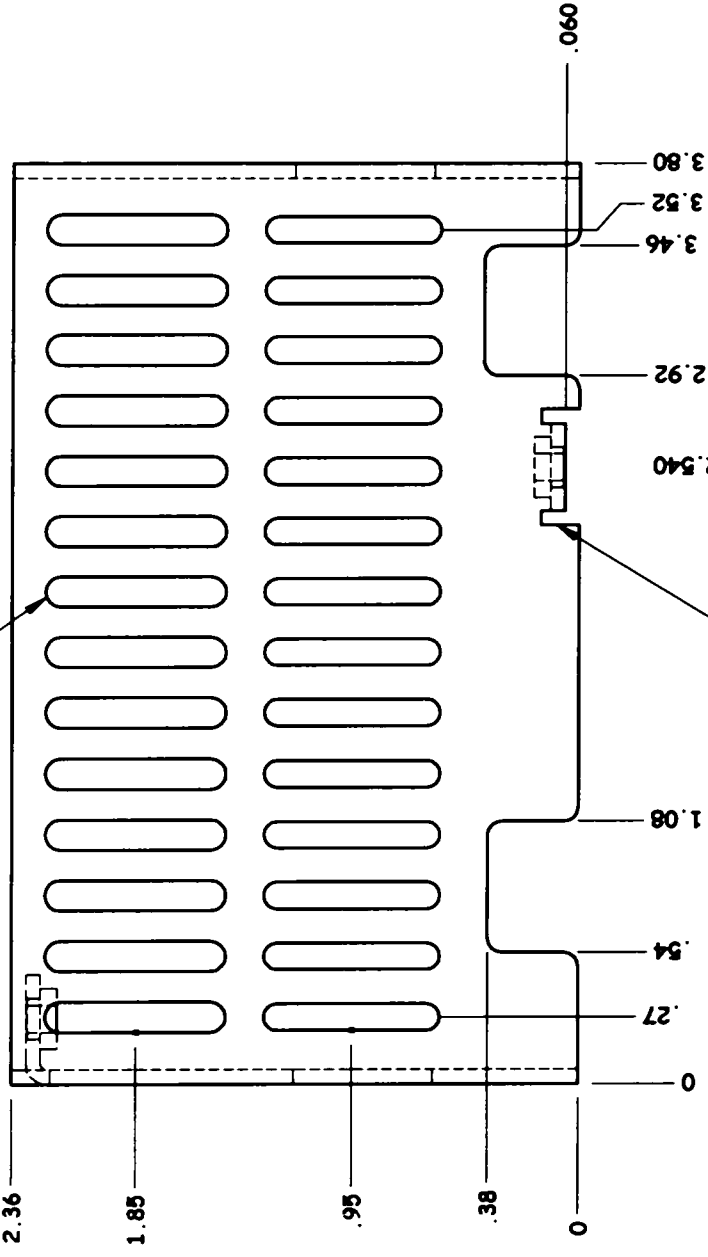
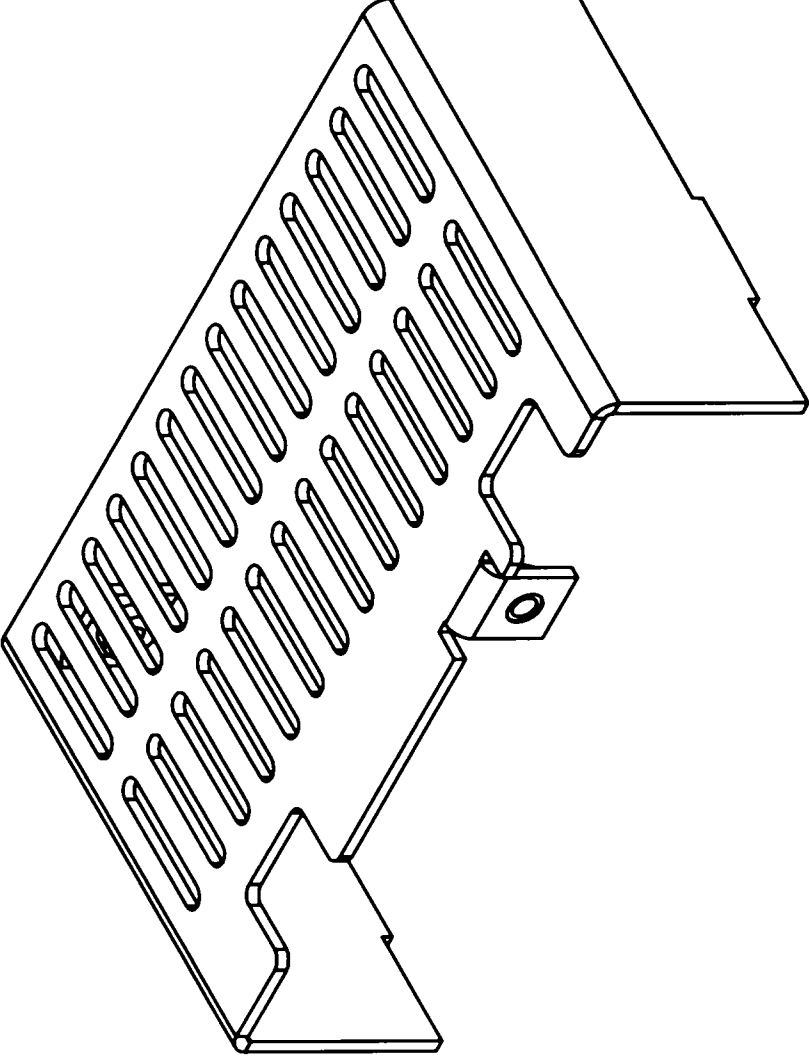
1000204  
CONDUCTOR  
Type 2 Class 1

ART. NO. 8-34541-0001

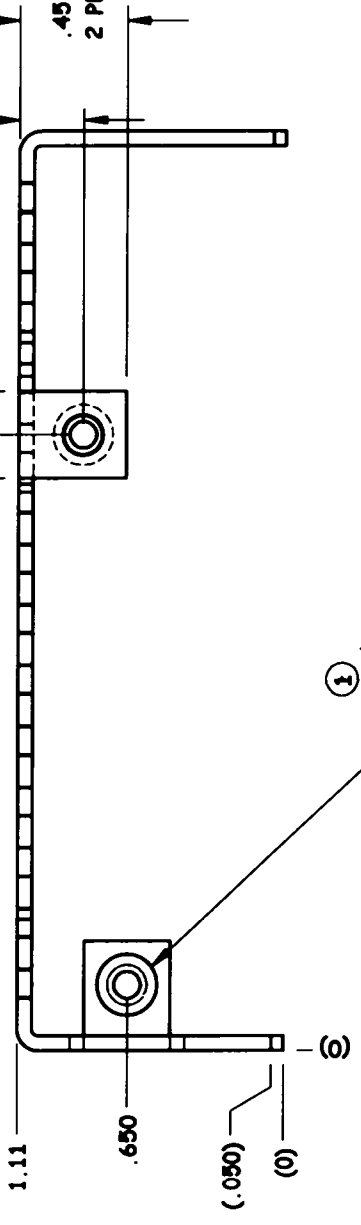
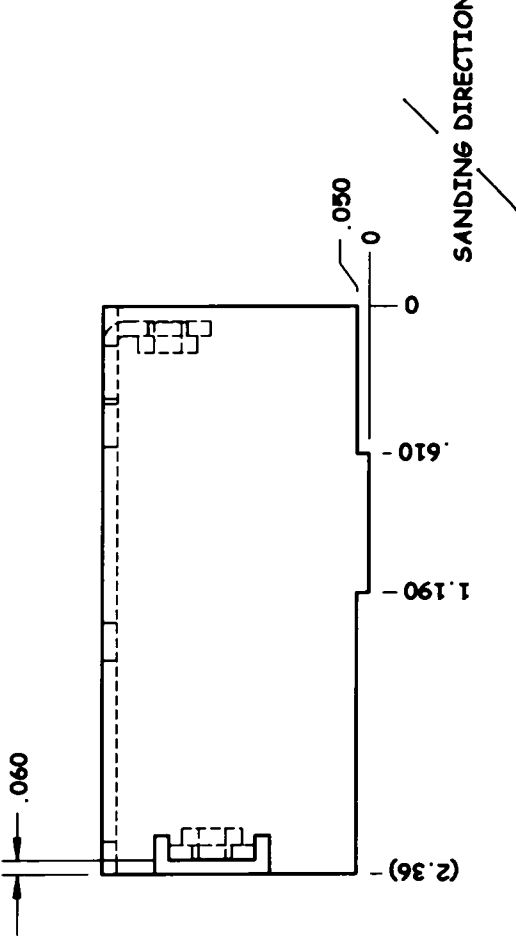
REV	DATE	DESCRIPTION
1	1/2/98	RELEASE

ALL DIMENSIONS CONTAINED IN THIS DRAWING IS THE SIZE FOR PARTS TO BE FABRICATED. ANY DIMENSIONS IN PARENT OR BRACKETED WITHIN DIMENSIONS ARE IN INCHES. ALL DIMENSIONS ARE TO UNLESS OTHERWISE SPECIFIED.

.12 x .75 OBOUNDED SLOT  
ON .250 CENTERS  
28 PLACES



.06 x .16 BEND RELIEF  
4 PLACES



Notes: Unless otherwise specified.

1. FABRICATE PER CONDOR WORKMANSHIP STANDARDS MANUAL (W/SM) DOC. NO. 41-31510-0001 SECTION 7.
2. FOR PANEL SIZE, CONDOR P/N'S, AND FN (FIND NUMBER) INFORMATION, REFER TO MODEL SPECIFIC BILL OF MATERIALS. B/M PARTS NO. CAN BE OBTAINED FROM MODEL SPECIFIC MASTER DRAWING LIST.
3. FOR PLATING AND OTHER INSPECTION CRITERIA, REFER TO APPROPRIATE PAGES IN W.S.M. SECTION 7.

NO.	REV.	DATE	DESCRIPTION	BY	CHKD.

UNLESS OTHERWISE SPECIFIED, CONDOR DRAWINGS DO NOT MANUALLY DIMENSION IN INCHES. ALL DIMENSIONS ARE TO UNLESS OTHERWISE SPECIFIED.

SCALE: ALUM. 3003-T4 .063 THK. CLEAR ANODIZE TYPE II CLASS. (1) 1/26/98

COVER  
6SC20 SERIES  
8-34541-0002 A